

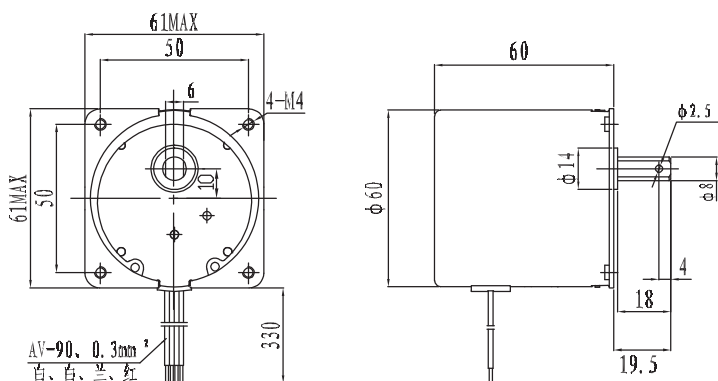
N20/30
 FF030
 RF130
 BLDC 1632
 FF130
 FF180
 RF500
 RF300
 RF310
 094
 BLDC 2035
 370
 2418
 2430
 385
 2838
 395
 30-C
 32-C
 40-C
 32ZY13
 32ZY25
 520
 BLDC 520
 380
 555
 BLDC 3640
 775
 38S
 BLDC 38S
 45S
 BLDC 45S
 50S
 BLDC 50S
 60S
 BLDC 60S
 80S
 稳压器
 同步电机
 永磁直流电机
 交流可逆电机

B60KTYZ AC Synchronous Gear MOTOR

Material	Metal
Output Bearing	Oil Bearing
Radial Force	≤ 8 kgf
Axial Force	≤ 3 kgf
Spindle Pressure	≤ 15 kgf
Radial Clearance	≤ 0.1 mm
Axial Clearance	≤ 0.3 mm



Dimension(mm)



Working Conditions

Environment Temp.	-15 ~ +45° C
Humidity	15% ~ 90%RH
Working Volt.	85% ~ 110% of Nominal Volt.
Frequency	Nominal Frequency±3%
Installation	Shaft keep horizontally or upward

Technical Data

Nominal Volt. (V)	220							
Nominal Frequency(HZ)	50-60							
Working Duty (S)	S1							
Capicitor applicable (μF)	0.33							
Input Power (W)	< 10							
Input Current (mA)	< 45							
Output speed (r/min)	2.5	5	7	10	15	20	30	40
Output torque (Kg/cm)	80	40	28	20	14	10	7	5
Direction	CW/CCW							
Insulation Class	E							
Dielectric Strength	1800V/S							
Temp.rising (K)	< 65							
Noise (dB)	小于 45							

Note: If you need different power, or special design on shaft, please inquiry us.