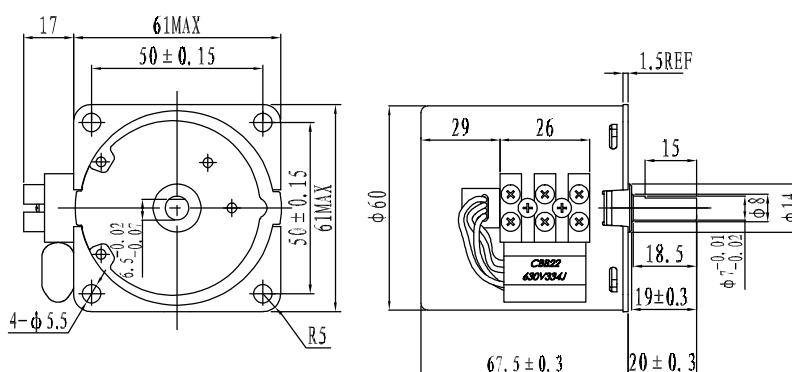


AH68KTYZ AC Synchronous Gear MOTOR

Material	Metal
Output Bearing	Oil Bearing
Radial Force	≤ 8 kgf
Axial Force	≤ 3 kgf
Spindle Pressure	≤ 15 kgf
Radial Clearance	≤ 0.1 mm
Axial Clearance	≤ 0.3 mm



Dimension(mm)



Working Conditions

Environment Temp.	-15 ~ +45° C
Humidity	15% ~ 90%RH
Working Volt.	85% ~ 110% of Nominal Volt.
Frequency	Nominal Frequency±3%
Installation	Shaft keep horizontally or upward

Technical Data

Nominal Volt. (V)	220											
Nominal Frequency(HZ)	50-60											
Working Duty (S)	S1											
Capicitor applicable (μF)	0.47											
Input Power (W)	< 14											
Input Current (mA)	< 70											
Output speed (r/min)	2.5	5	10	15	20	30	40	50	60	80	110	
Output torque (Kg/cm)	100	50	25	17	13	8.5	6.5	5	4.3	3.2	2.5	
Direction	CW/CCW											
Insulation Class	E											
Dielectric Strength	1800V/S											
Temp.rising (K)	< 65											
Noise (dB)	小于 45											

Note: If you need different power, or special design on shaft, please inquiry us.