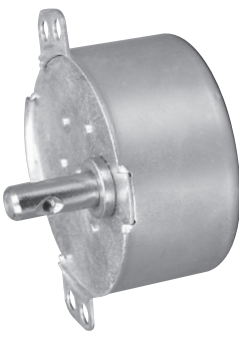
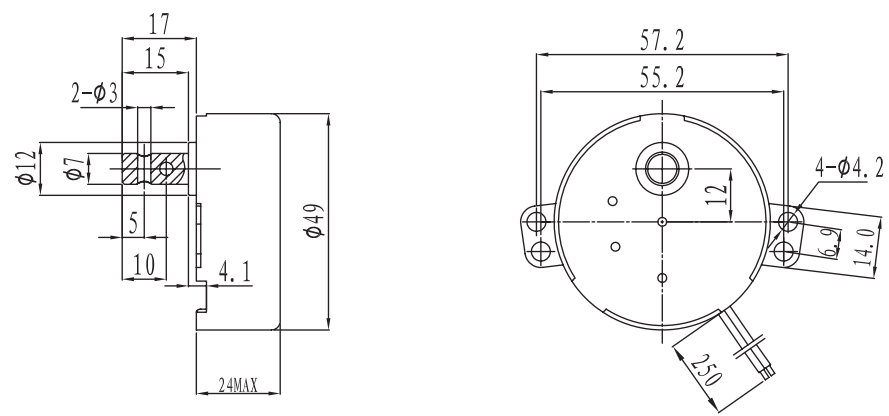


N20/30  
 FF030  
 RF130  
 BLDC 1632  
 FF130  
 FF180  
 RF500  
 RF300  
 RF310  
 094  
 BLDC 2035  
 370  
 2418  
 2430  
 385  
 2838  
 395  
 30-C  
 32-C  
 40-C  
 32ZY13  
 32ZY25  
 520  
 BLDC 520  
 380  
 555  
 BLDC 3640  
 775  
 38S  
 BLDC 38S  
 45S  
 BLDC 45S  
 50S  
 BLDC 50S  
 60S  
 BLDC 60S  
 80S  
 稳压器  
 同步电机  
 永磁直流电机  
 交流可逆电机

# 49TYZ AC Synchronous Gear Motor



## Dimension(mm)



## Working Conditions

Environment Temp.	-15 ~ +45° C
Humidity	15% ~ 90%RH
Working Volt.	85% ~ 110% of Nominal Volt.
Frequency	Nominal Frequency±3%
Installation	Shaft keep horizontally or upward

## Technical Data

Nominal Volt. ( V )	220										
Nominal Frequency ( HZ )	50										
Working Duty ( S )	S1										
Capicitor applicable ( μF )											
Input Power ( W )	< 4										
Input Current ( mA )	< 25										
Output speed ( r/min )	1.5	3	5	8	10	15	20	25	30	50	
Output torque ( Kg/cm)	15	12	7	4	1.5	2.5	2	1.7	1.2	0.7	
Direction	CW/CCW										
Insulation Class	E										
Dielectric Strength	1800V/S										
Temp.rising ( K )	< 65										
Noise ( dB )	< 45										

Note : If you need different power, or special desgin on shaft, please inquiry us.